



AUTOMOBILE DESCRIPTIVE INVENTORY

ATLAS VAN LINES, INC.
 1212 ST. GEORGE ROAD, P.O. BOX 509
 EVANSVILLE, INDIANA 47703-0509
 (800) 252-8886 / (812) 424-2222

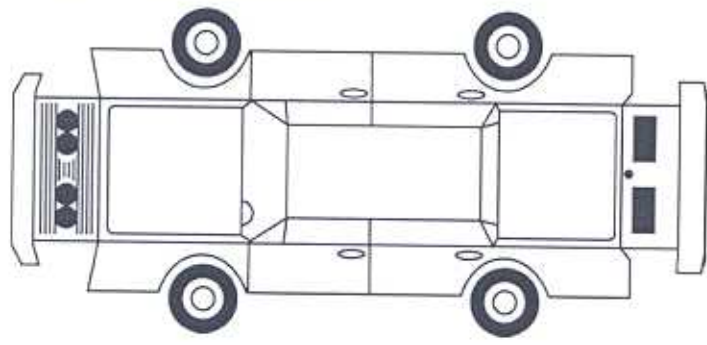
ATLAS REGISTRATION NO. _____

CUSTOMER	CONSIGNEE
ORIGIN ADDRESS	DESTINATION ADDRESS

SAFETY FIRST: PREVENT FIRES BY DISCONNECTING BATTERY CABLE • DO NOT DEFLATE TIRES • SECURE VEHICLE PROPERLY AND SET EMERGENCY BRAKE • OTHER ITEMS ARE NOT TO BE LOADED INSIDE, ON TOP OF, OR UNDERNEATH THE VEHICLE • ENSURE CUSTOMER REMOVED ALL BELONGINGS

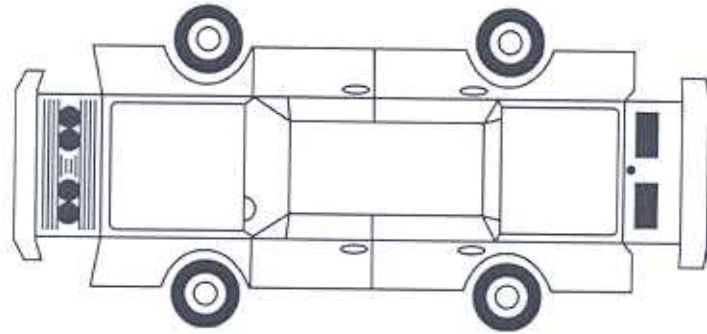
MAKE-AUTOMOBILE	YEAR	MODEL	WEIGHT	COLOR	SERIAL NUMBER
-----------------	------	-------	--------	-------	---------------

ORIGIN IT IS THE CUSTOMER'S RESPONSIBILITY TO MAKE SURE THAT ANY COOLING SYSTEM IS PROTECTED FROM FREEZING. CARRIER IS NOT RESPONSIBLE FOR DAMAGE DUE TO FREEZING. **WEATHER CONDITIONS:** CLEAR RAIN DARK



MILEAGE	CUST. INITIAL
---------	---------------

DESTINATION (NOTE ONLY CHANGES FROM CONDITION AT ORIGIN) **WEATHER CONDITIONS:** CLEAR RAIN DARK



MILEAGE	CUST. INITIAL
---------	---------------

EXCEPTIONS: Enter special remarks denoting conditions. (Including interior)

ORIGIN	DESTINATION
---------------	--------------------

NOTICE: The CUSTOMER'S or AUTHORIZED AGENT'S signature at origin is also for the following RELEASE. "This will authorize the CARRIER to drive this vehicle either at origin or destination for the sole purpose of loading/unloading."

I have completed a review of my automobile and agree that it is in the same condition as when it was released to the carrier unless otherwise noted.

O R I G I N	CUSTOMER OR AUTHORIZED AGENT			D E S T I N A T I O N	CONSIGNEE OR AUTHORIZED AGENT		
	VAN OPERATOR SIGNATURE	PVO CODE	DATE / / AGENT CODE		VAN OPERATOR SIGNATURE	PVO CODE	DATE / / AGENT CODE
	STORAGE	AGENT	SIT#		STORAGE	AGENT	SIT#
			DATE / /				DATE / /

- | | | | | | | |
|--------------------------|---|---|--|---|--|---|
| EXCEPTION SYMBOLS | BE-BENT
BR-BROKEN
BU-BURNED
CH-CHIPPED | CV-CAVED
D-DENTED
DD-DOOR DING
F-FADED | G-GOUGED
L-LOOSE
M-MARRIED
MG-MISSING | P-PITTED
PC-PAINT CHIP
PP-PEELING PAINT
R-RUBBED | RU-RUSTED
SC-SCRATCHED
SO-SOILED
T-TORN | TU-TOUCHUP PAINT
W-BADLY WORN
Z-CRACKED |
|--------------------------|---|---|--|---|--|---|